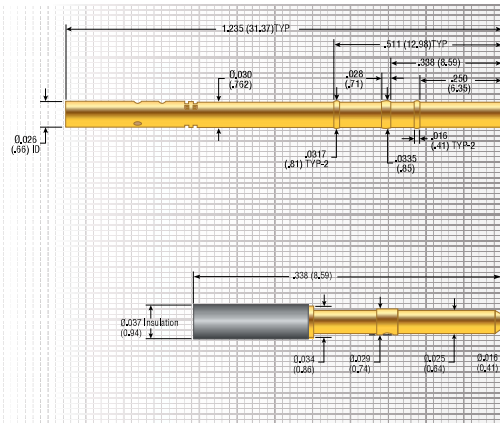


## LFRE-39

39 mil (1.0 mm)



SPR-39W-S

SPT-39T  
Wire Jack

### Mechanical

Recommended Travel:	.167 (4.24)
Full Travel:	.250 (6.35)
Mechanical Life*:	50,000 cycles
Operating Temperature:	-55°C to +150°C

### Spring Force in oz. (grams)

	Order Code	Preload	Rec. Travel
Standard	- 5.4	0.62 (18)	5.4 (153)

### Electrical (Static Conditions)

Current Rating:	2 amps
Average Probe Resistance:	< 50 mOhms average

### Materials and Finishes

Plunger:	High performance alloy LFRE proprietary plating
Barrel:	Nickel Silver, Gold plated
Spring:	Stainless Steel

### Receptacle

Hole diameter:	Ø .0307 to .0317 (.77 to .80)
Suggested drill:	1/32" or .8 mm
SPR Housing:	Work-hardened BeCu, Gold plated over hard Nickel
SPT Housing:	Work-hardened Brass, Gold plated over hard Nickel with nylon insulator

\* Life specifications are based on lab results but are dependent on cleaning frequency and the specific customer application, including DUT materials, handler kit, maintenance, etc.

### Tip Style (ADDITIONAL TIPS AVAILABLE)

H	I	I15	L15	T15		
Ø .028 (.711)	Ø .015 (0.38)	Ø .015 (0.38)	Ø .015 (0.38)	Ø .015 (0.38)		



Dimensions in inches (millimeters). Specifications subject to change without notice. Consult factory for other temperature requirements, and applications below -40°C. Stocking Disclaimer: Stocking levels for part numbers listed in this catalog are subject to change. Availability is based on current levels of usage and demand.

